

CCDP420 Head temperature transmitter



Overview

CCDP420 Temperature Transmitter is head mounted with universal Temperature input, transmitting the signal thermocouple, RTD sensor as 4-20ma output for with ideal solution.

Feature

- Universal temperature input, programmable flexibly
- Input signal: 10 types of thermocouple, 2 types of RTD
- Built-in cold junction compensation for thermocouple input
- Input type can be programmable flexibly by PC software
- Serial port with serial-USB cable configurable with PC software
- Output: 4-20ma, 2 wire
- Power supply: 24VDC

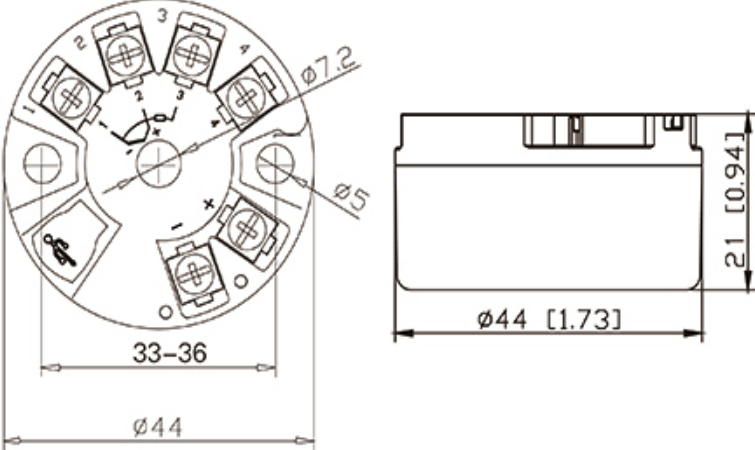
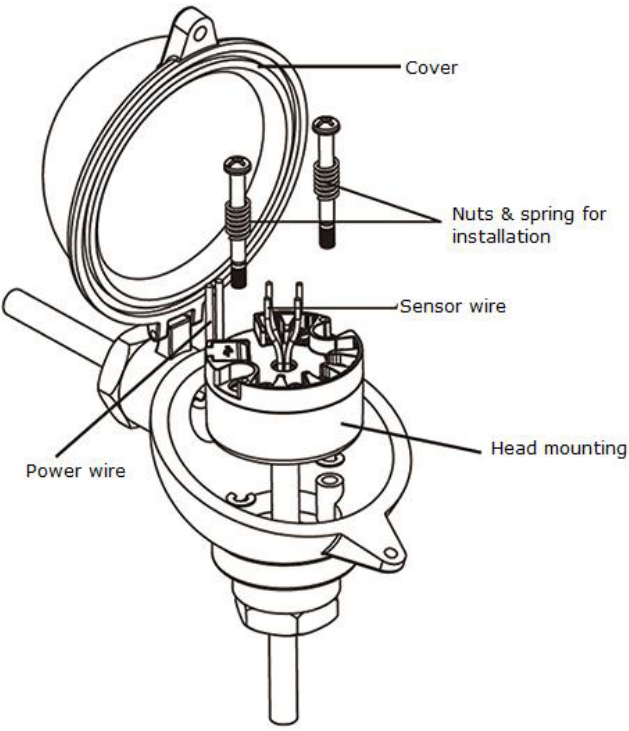
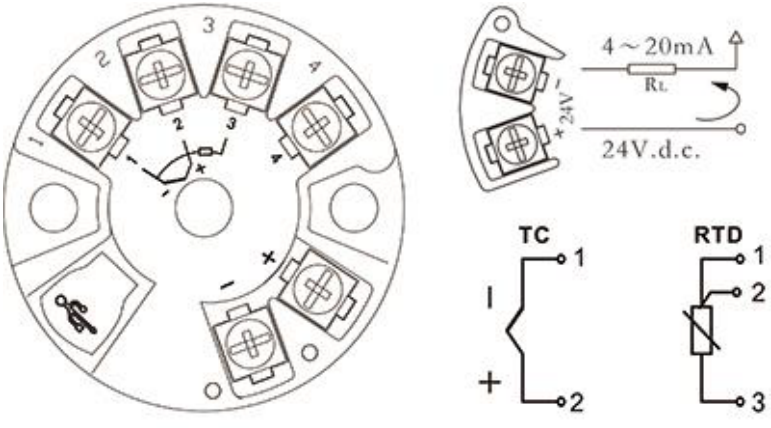
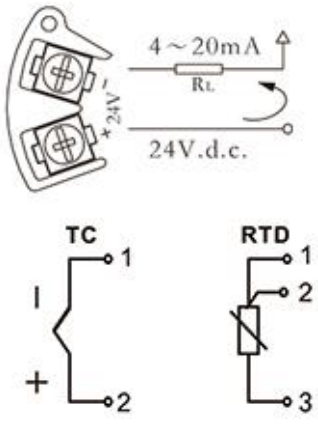


Head Mount Temperature Transmitter Model: CCDP420

Specification

Accuracy	0.1%FS	Input Type	Measured Range	Min. Range	
Response time:	< 1second (up to 90%)	RTD	Pt100	-200 to 600°C	10°C
Input type	Thermocouple, RTD		CU50	-50 to 150°C	10°C
Cold junction compensation	-20~60°C	T.C	B	400 to 1820°C	500°C
Compensation Accuracy	± 1°C		E	-100 to 1000°C	50°C
Temperature shift	0.01%FS/°C		J	-100 to 1200°C	50°C
Output	4-20mA , 2 wire		K	-180 to 1372°C	50°C
Load resistor	$RL \leq (U_e - 12) / 0.021$		N	-180 to 1300°C	50°C
Current output	I _H =21mA、I _L =3.8mA (when high-low alarming limiting over)		R	-50 to 1760°C	500°C
Current when alarming	21mA (when input is in open circuit)		S	-50 to 1760°C	500°C
Earthquake resistance:	4g/2 to 150HZ		T	-200 to 400°C	50°C
Max Load:	max. (V power supply-7.5V/)		Wre325	0 to 2315°C	500°C
	0.022A (current output)		Wre526	0 to 2310°C	500°C
Installation	Head of B type box	Power supply	U=12V to 40Vdc		
IP protection	P00; IP66 (mounted)	Working temperature	-40 to 85°C		
		Storage temperature	-40 to 100°C		

■ Electrical Connection

Size(mm)	Installation
	
Diagram	
	
Configuration by USB cable with PC software for input type, range setting	
