

# CRDP420A Isolated Din rail transmitter



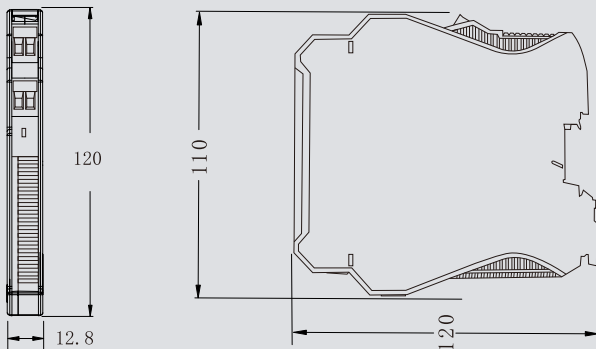
Size:(length\*height\*width):110mm\*120mm\*12.8mm

## Technical data

Inputs	Thermocouple(K,E,J,T,R,S,N,Wre3-25) RTD(PT100, Cu50,PT1000) <b>*Pt1000 inputs needs to be custom made the unit won't support Pt100 and Cu50 if it is made to support PT1000.</b>
Excitation current	0.2mA
Lead wire resistance	0~20Ω
Allowable load resistance	≤500Ω for output 4-20mA
Power supply	20-30Vdc
Measuring accuracy	0.1%F.S
Temperature drift	+/- 50ppm/°C
Open loop and Over range	Output maximum current and LED indicator flashing when open loop or out of range happens, the output will be either 0mA or 25 mA, it is configurable by using our software.
Response time	≤200mS
Operating temperature	-25~60°C
Humidity	0-90%RH(No condensation)
Weight	About 0.1kg
Insulation resistance	≥100MΩ/500VDC
Isolation between input/output/source	2000V/1 min

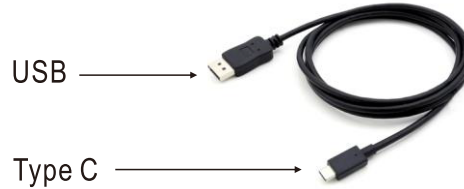
## Product dimension and installation

- Size:(length\*height\*width):110mm\*120mm\*12.8mm



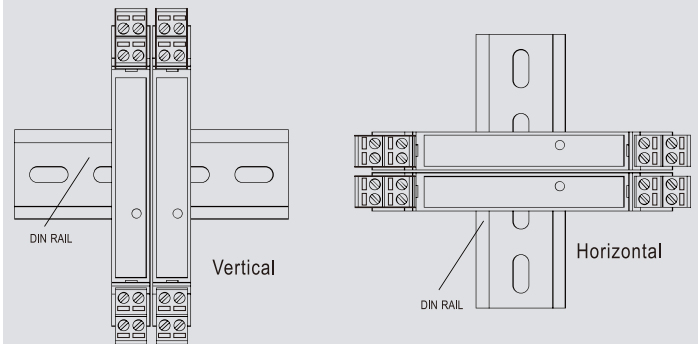
## Features:

- 1 input 1 output, isolated temperature transmitter
- Input thermocouple(K,E,J,T,R,S,N,Wre3-25,) RTD(PT100, Cu50,PT1000)
- Isolation between input, output, and power source
- **Input and range programmable via PC software**
- 0.1%F.S measuring accuracy
- **Only a regular USB to type C cable needed for programming**
- Source: 18-35Vdc
- DIN rail mount



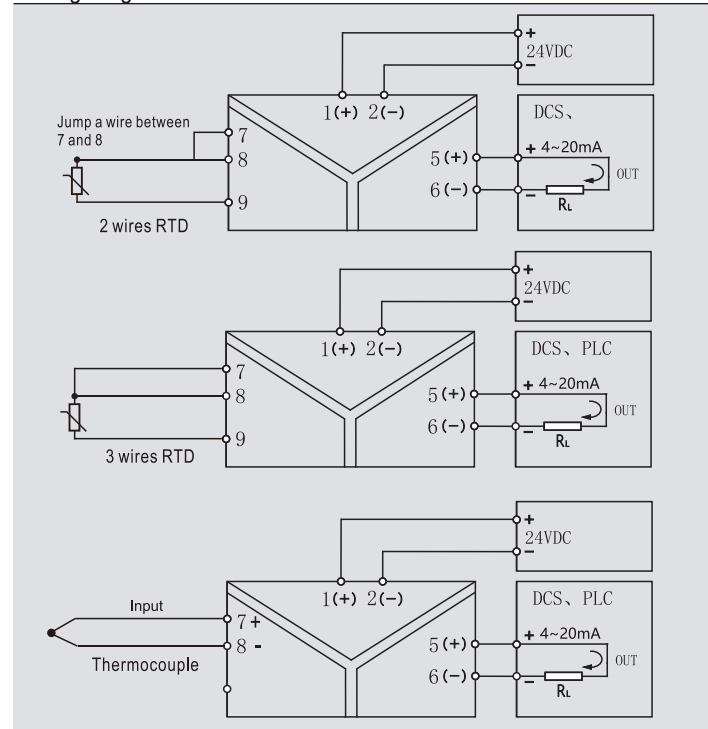
## Installation

- Can be installed to standard DIN rail  
Can be installed vertically or horizontally



- Can be installed to standard DIN rail  
Can be installed vertically or horizontally

## Wiring diagram



especialistas en regulación y control de temperatura

Avenida del Cantábrico, 11. P6. 01013 Vitoria-Gasteiz (Spain)  
tel. (+34)945 259455 e-mail: consultas@srcl.com www.srcl.com

