

CCDP420AH HART Temperature Transmitter



- Universal input, support RTD and Thermocouple, Voltage, resistance.
- Output 4-20mA + HART 7
- Input configurable via **PC software** and **field configurator**
Compatible with Rosemount 275, 375 and other mainstream field configurator
- Input/output/power supply isolated with each other
- Can be installed in Form B connection box
- High accuracy, 0.1% for RTD, 0.2% for TC
- 12-35VDC power supply
- Surge protection, reverse connection protection
- 2000VAC galvanic isolation

This item is a drop-in replacement of Rosemount 248 model, high accuracy, inherits standard HART protocol.(HART 7)

Ordering Information

CCDP420AH (Hart+4-20mA output)

You can configure the input and range using PC software or field configurator

Technical Specifications

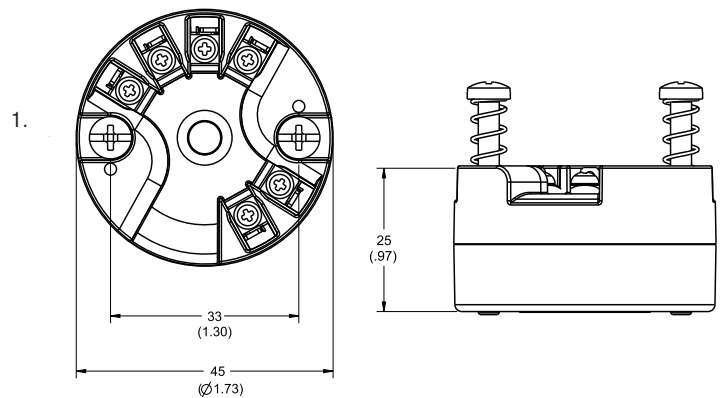
Item No	CCDP420AH
Input type	T/C.:K,E,S,B,J,T,R,N,WRe5,WRe3 RTD.: Pt100,Pt1000,Cu100,Cu50 Resistance,Voltage
Power supply	12-35Vdc
Measuring accuracy	RTD 0.1% TC 0.2%
Energizing current for sensor	210uA
Load	250 Ω or 500 Ω
Temperature drift	≤25ppm/°C F.S
Operating temperature range	-30°C~80°C
Output	4-20mA+HART 7
Maximum output	20.8mA
Storage temp	-40°C~120°C
Housing material	PA66
Mounting screw	M3*2
Protection	Surge and reverse connection
Warranty	12 months
Isolation	2000VAC galvanic isolation

Special Note(Output under over range and open circuit)

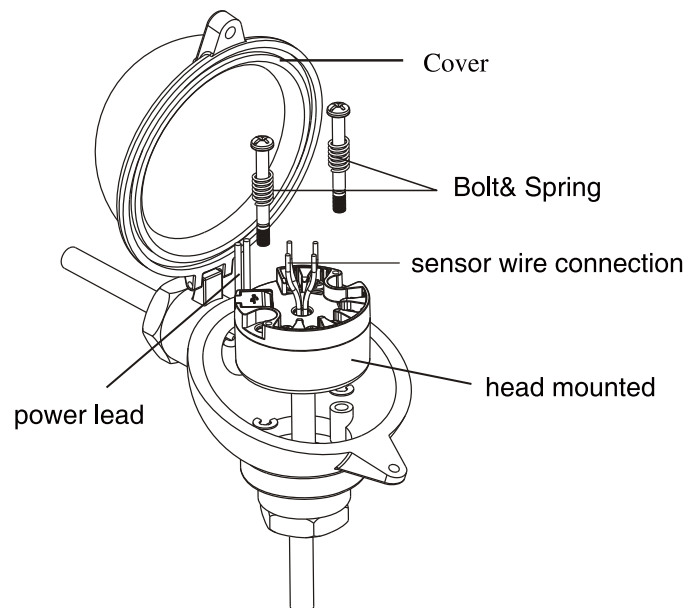
- 1.PT1000 input needs to be custom made, please contact our sales team for more information
2. In case of sensor open, means no input, the output of the transmitter will be either 3.75mA or 21.75mA, it's configurable by using our software, you can configure the output to be 3.75mA or 21.75mA
1. When over range happens, the output will be either 3.8mA or 20.8mA, for example, if you configure the transmitting range of the unit as 0~200 degree celcius, the output will be 3.8mA when temperature input is less than 0 degree it's a fixed output as long as the input is less than 0 degree, the output will be 20.8mA when input is higher than 200 degree, and the output is fixed as well.

Dimension

Technical Specifications



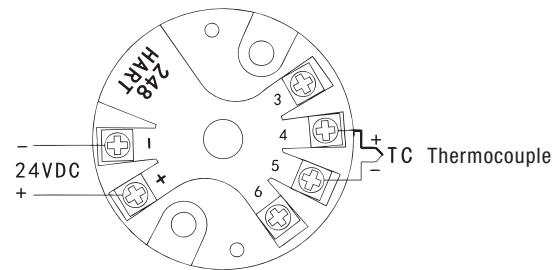
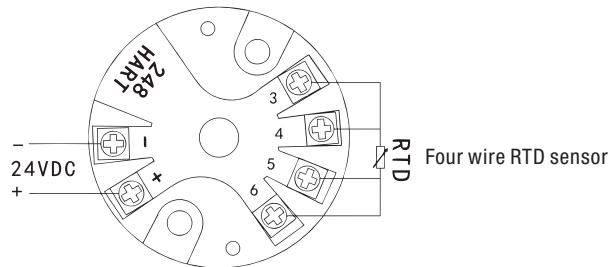
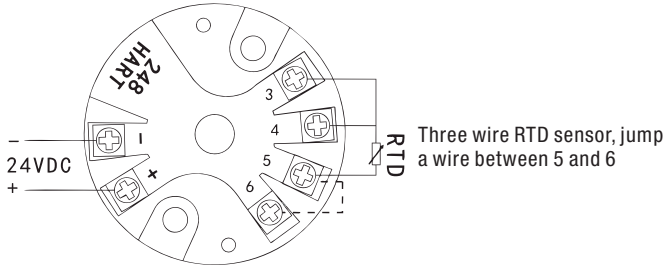
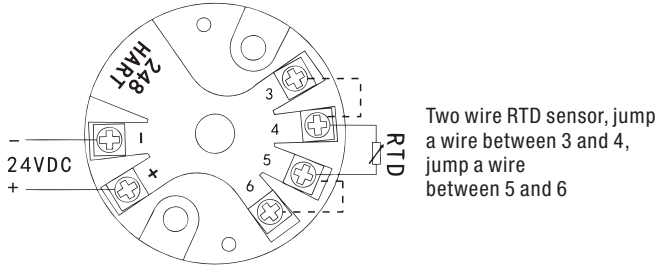
Installation guide



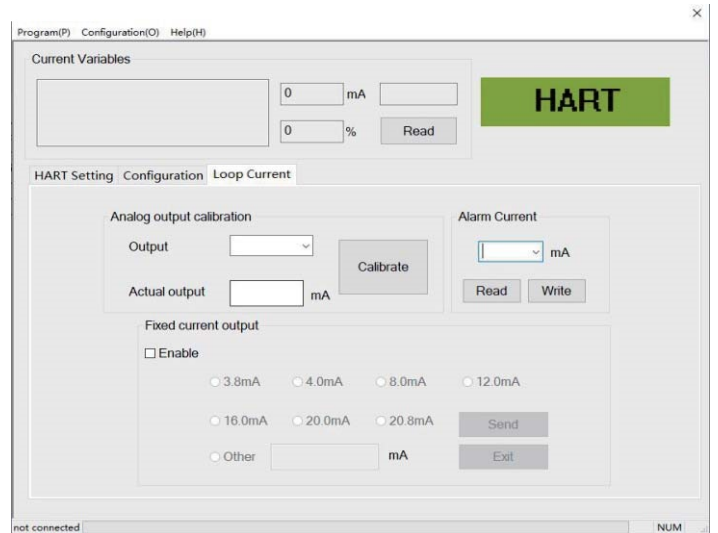
Input signal and range

Sensor type	Specific sensor type	Range
Thermocouple	K	-200~1300°C
	E	-200~1000°C
	S	0~1600°C
	B	600~1800°C
	J	-210~1200°C
	T	-270~400°C
	R	-0~1600°C
	N	-270~1300°C
	WRe5	0~2300°C
	WRe3	0~2200°C
RTD	PT100	-200~850°C
	PT1000	-200~850°C
	Cu100	-50~150°C
	Cu50	-50~150°C
Resistance and voltage	Resistance	0Ω~4000Ω
	voltage	-800mV~800mV

Wiring diagram



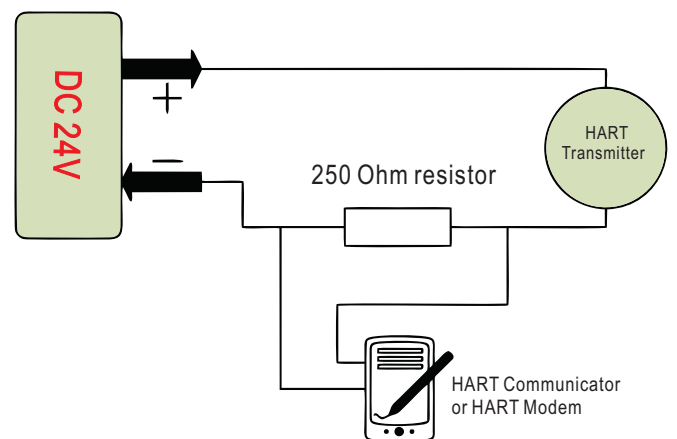
PC configuration software interface



HART modem SR100-C



Connection guide with hart modem or hart communicator



Configuration guidelines

The configuration can be done via PC or Rosemount 275/375 communicator. We provide PC software so you can configure the unit via PC, in this case, a HART MODEM is needed.



Connect the transmitter with PC using the HART Modem and download the PC software from our official website, or you can contact our after sales team to get the software.