

# CCDP420 Head temperature transmitter



## Overview

CCDP420 Temperature Transmitter is head mounted with universal Temperature input, transmitting thermocouple, RTD sensor signals as 4-20ma output for with ideal solution.

## Feature

- Universal temperature input, programmable flexibly
- Input signal: 10 types of thermocouple, 2 types of RTD
- Built-in cold junction compensation for thermocouple input
- Input type can be programmable flexibly by PC software
- Serial port with serial-USB cable configurable with PC software
- Output: 4-20ma, 2 wire
- Power supply: 12V to 35Vdc

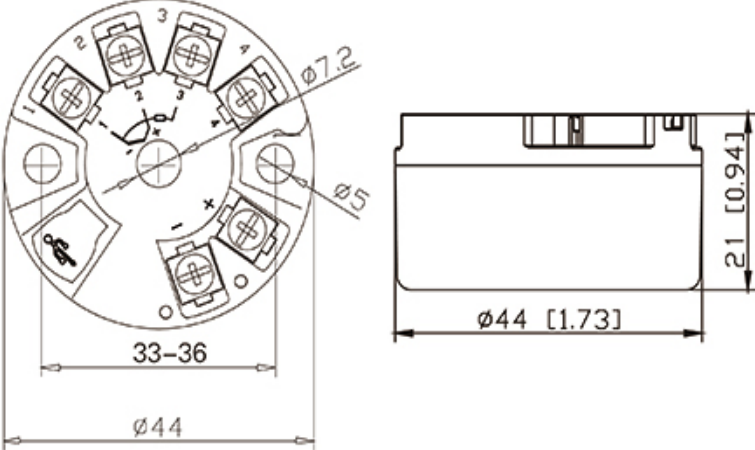
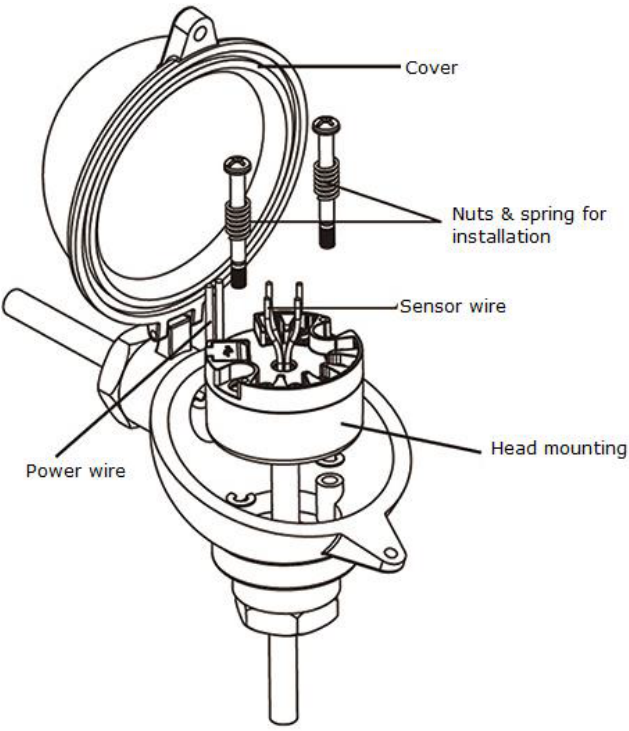
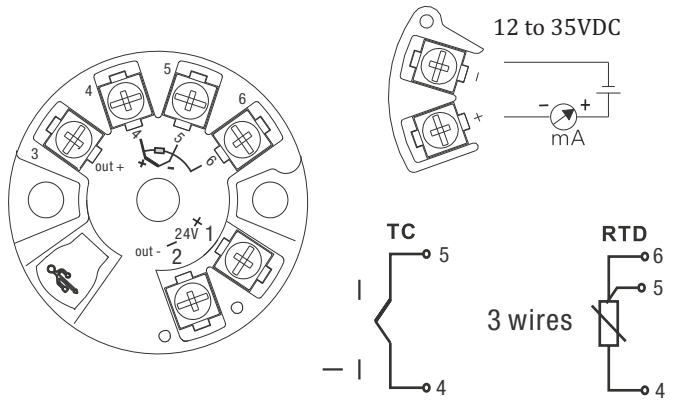


Head Mount Temperature Transmitter Model CCDP420

## Specification

Accuracy	0.1%FS	Input Type	Measured Range	Min. Range	
Response time:	<1second ( up to 90%)	RTD	<b>Pt100</b>	-200 to 600°C	10°C
Input type	Thermocouple, RTD		<b>CU50</b>	-50 to 150°C	10°C
Cold junction compensation	-20~60°C	T.C	<b>B</b>	400 to 1820°C	500°C
Compensation Accuracy	±1°C		<b>E</b>	-100 to 1000°C	50°C
Temperature shift	0.01%FS/°C		<b>J</b>	-100 to 1200°C	50°C
Output	4-20mA , 2 wire		<b>K</b>	-180 to 1372°C	50°C
Load resistor	$RL \leq (U_e - 12) / 0.021$		<b>N</b>	-180 to 1300°C	50°C
Current output	I <sub>H</sub> =21mA、I <sub>L</sub> =3.8mA (when high-low alarming limiting over)		<b>R</b>	-50 to 1760°C	500°C
Current when alarming	21mA (when input is in open circuit)		<b>S</b>	-50 to 1760°C	500°C
Earthquake resistance:	4g/2 to 150HZ		<b>T</b>	-200 to 400°C	50°C
Max Load:	max. (V power supply-7.5V/)		<b>Wre325</b>	0 to 2315°C	500°C
			<b>Wre526</b>	0 to 2310°C	500°C
	0.022A (current output)	<b>Power supply</b>	U=12V to 35Vdc		
Installation	Head of B type box	<b>Working temperature</b>	-40 to 85°C		
IP protection	P00; IP66 (mounted)	<b>Storage temperature</b>	-40 to 100°C		

## Electrical Connection

Size(mm)	Installation
	
Diagram	
	
Configuration by USB cable with PC software for input type, range setting	
