

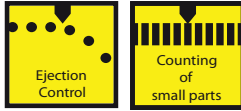
Multi-Beam Light Barriers with separate amplifier



Infrared Frame Light Barriers PR 15 mm-type

PR-52-54 up to PR-500-300

Application



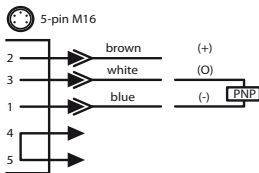
Specifications

Circuit	constant light trigger
Voltage	12-24 VDC
Current consumption	60-300 mA, depending on type
Operation	dynamic/static ¹⁾
Sensitivity static/dynamic	adjustable by poti
Output	PNP
Function	bright-dark switch
Output consumption	500 mA short-circuit proof
Pulse length	10 ms, adjustable (1-100 ms.)
Frequency	max. 1 KHz, depending on pulse length
Operating temperature	0° - 60° C
EMC	IEC 801... CE
Type of protection	IP 65

Accuracy	Light-band B: 54-78	96-126	150-192	300
dynamic	Ball - Ø/mm: 1	2	3	4
static	Ball - Ø/mm: 2	4	6	8

¹⁾ Internal switch for dynamic/static operating mode

Pin configuration 5-pin M16

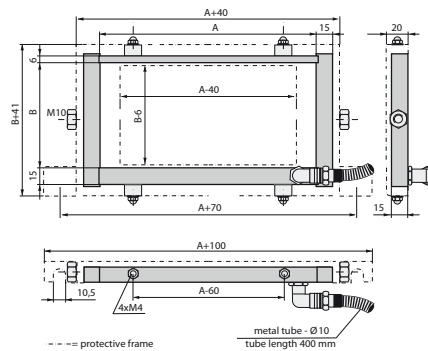
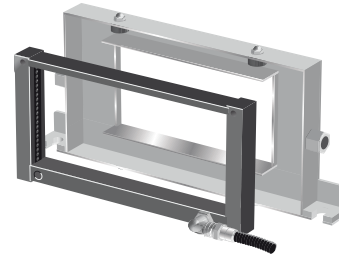


Order table

Frame light barrier	Order number
PR-52-54/5-P	8200-00000-0102
PR-100-66/5-P	8201-00000-0102
PR-150-78/5-P	8202-00000-0102
PR-200-96/5-P	8203-00000-0102
PR-250-126/5-P	8204-00000-0102
PR-300-150/5-P	8205-00000-0102
PR-400-192/5-P	8206-00000-0102
PR-500-300/5-P	8207-00000-0102

Accessories

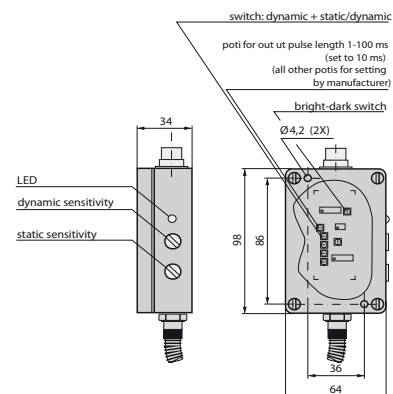
Article	Order number
Connecting cables 5 m (with free cable end)	
VK-D/F-St-A (2 m)	2105-00002-0600
VK-D/F-St-A (5 m)	2105-00005-0600
Extension cable 6-pin M16	
VK-D/D (2 m)	2104-00002-0606
VK-D/D (5 m)	2104-00005-0606
Protective frame	
SR 150-78	2300-00000-0410
SR 200-96	2300-00000-0411
SR 250-126	2300-00000-0412
SR 300-150	2300-00000-0413
SR 400-192	2300-00000-0414
SR 500-300	2300-00000-0415
Magnetic holder MS 80	2300-00000-0036



A	52	100	150	200	250	300	400	500
B	54	66	78	96	126	150	192	300

Amplifier

constant light trigger 5-P (5-pin) with magnetic holder
dimensions (LxWxH): 98 x 64 x 34 mm



especialistas en regulación y control de temperatura

Avda. del Cantábrico 11, Pab. 6 • 01013 Vitoria-Gasteiz (Spain)

Tel. (+34)945 25 94 55 Fax - (+34) 945 25 88 52 • www.srcl.com • info@srcl.com

