

KH706 Temperature and Humidity transmitter



Application

KH706 is digital temperature and humidity sensor, widely used for air temperature and humidity monitoring in Medicines, food, meteorological environment, libraries, warehouse or storehouse, equipment room etc and also for industrial automation process monitoring and researching area.

Feature

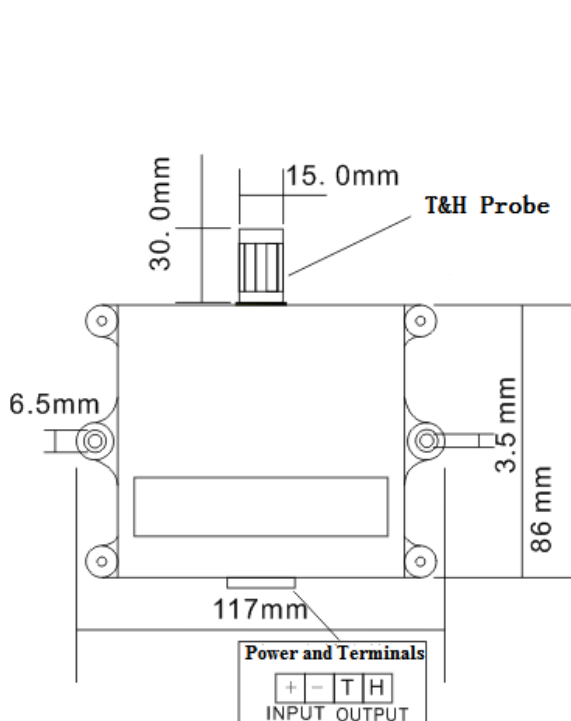
High Safety	Safe guider built-in to ensure system safety
Digitized sensor	Adopts original imported digital type temperature and humidity sensor (IC) , high measuring accuracy and high stability
Output	4-20mA , 3 wire
Optional installation	Wall or duct type ,optional

Specification

Temperature resolution	0.01 °C	Humidity resolution	0.1RH
Response time	8 second	Accuracy	T: ± 0.5 °C , H: $\pm 4.5\%$
Measured range	T: -20 to 80°C,	Measured range	H: 0-100%
Storage temperature	-40 to 85 °C	Storage humidity	5-90% (No dew)
Power supply	24VDC	Power consumption	<1.0W

Installation and Diagram

KH706TB: Wall Type T&H Transmitter



Terminals

+: 24V
-: 24V
T: °C
H: %H

KH706TD: Duct Type T&H Transmitter

