

DS & TS Series -Three phase SSR

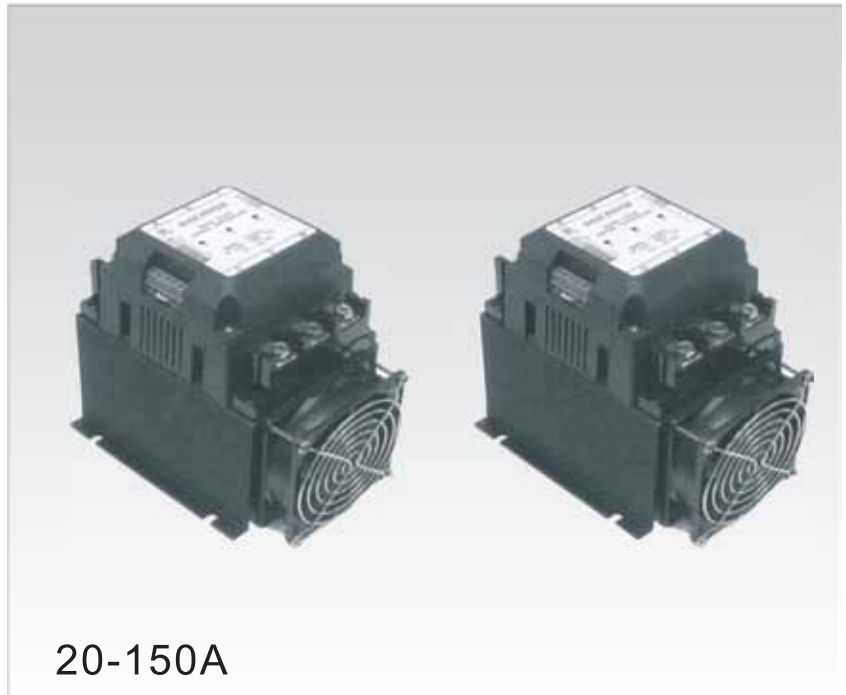


The DS & TS series solid state relays power controllers are available in:

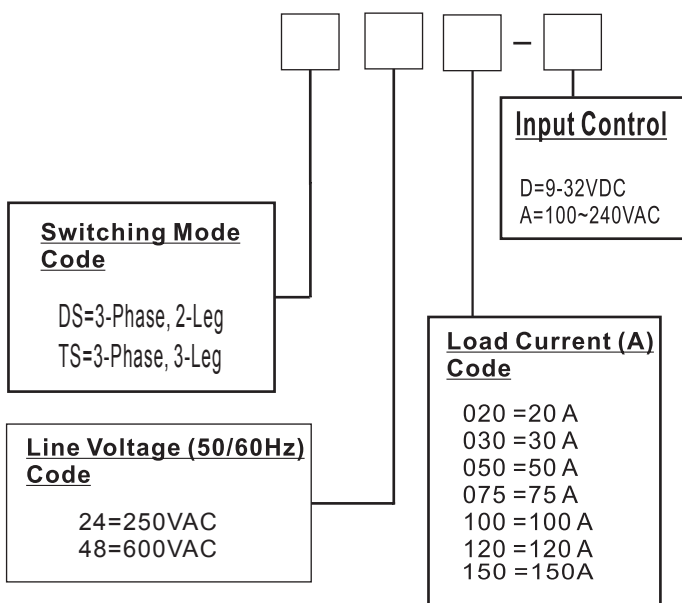
TS series Three-phase, three-leg
DS series Three-phase, two-leg.

They provide high-reliability control of resistive heating loads up to 150A

- * Current ratings from 20 to 150A
- * Output voltage rating to 600 Vac
- * Zero-cross firing eliminates RFI/EMI
- * AC or DC control inputs
- * Optical Isolation - Maintenance free
- * Replaces mercury and mechanical contactors
- * Extends heater life by reducing thermal shock
- * Input Led indication
- * -10 to 50°C operating temperature



Ordering Information



Specifications

INPUT SPECIFICATIONS

Control Voltage:9-32 Vdc and 100-240 Vac
Drop-Out Voltage:7.0 Vdc
Maximum Input Current:12 mA

OUTPUT SPECIFICATIONS







Continuous On-State
Current: 3-phase,3-leg 20 -150A
3-phase,2-leg 20 -150 A

Minimum
On-State Current: 0.6A
On-State Voltage Drop: 100V peak

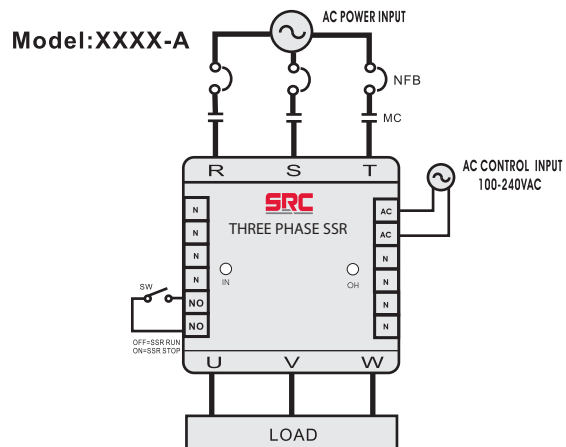
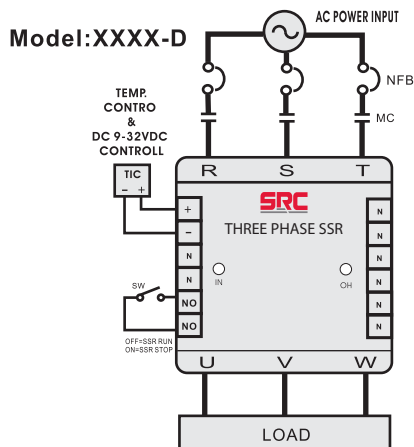
GENERAL SPECIFICATIONS

Storage Temperature: -10 to 50 °C
Input/Output Isolation Voltage: 1200 Vrms
Input/Output
Ground Isolation Voltage: 1200 Vrms
Line Voltage: 100 to 250 Vac or 100 to 600 Vac
Line Frequency: 50 to 60 Hz

(LXWXH)mm

<p>DS2420 DS4820</p>  <p>143X128X116mm(1000g) 143X128X170mm(1500g)</p>	<p>20A</p> <p>TS2420 TS4820</p>	<p>DS2475 DS4875</p>  <p>173X128X170mm(2000g) 173X128X170mm(2200g)</p>	<p>75A</p> <p>TS2475 TS4875</p>
<p>DS2430 DS4830</p>  <p>143X128X170mm(1500g) 143X128X170mm(1600g)</p>	<p>30A</p> <p>TS2430 TS4830</p>	<p>DS24100 DS48100</p>  <p>173X128X170mm(2000g) 236X128X170mm(2500g)</p>	<p>100A</p> <p>TS24100 TS48100</p>
<p>DS2450 DS4850</p>  <p>173X128X170mm(2000g) 173X128X170mm(2200g)</p>	<p>50A</p> <p>TS2450 TS4850</p>	<p>DS24120/150 DS48120/150</p>  <p>173X128X170mm(2000g) 236X128X170mm(2500g)</p>	<p>120/150</p> <p>TS24120/150 TS48120/150</p>

Terminal Conection:



especialistas en regulación y control de temperatura

Avda. del Cantábrico 11, Pab. 6 • 01013 Vitoria-Gasteiz (Spain)
Tel. (+34)945 25 94 55 Fax - (+34) 945 25 88 52 • www.srcl.com • info@srcl.com

