

# WH-7000 Temperature and Humidity controller



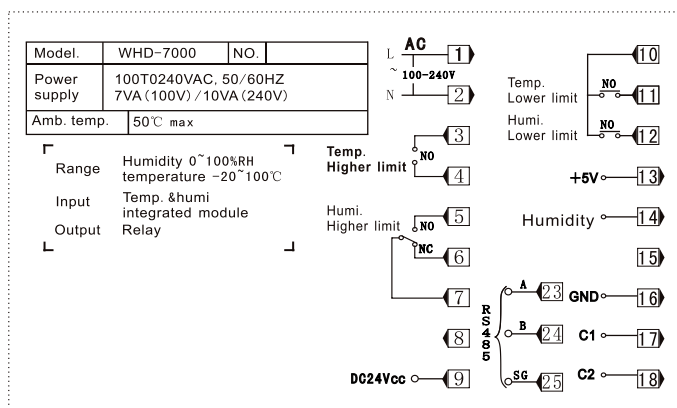
**WHD-7000** is an economical instrument with temperature control and humidity control in one unit and independent temperature and humidity digital displays.

- Recommended temperature sensor: PT100 or Cu50.
- Humidity sensor should be matched.
- Humidity range: 0%– 100%
- Main Control output (should be defined in order):  
Relay output  
SSR logic output  
DC4-20mA current continuous output
- Basic error: temperature  $\leq \pm (1\%F.S.+1d)$   
humidity  $\pm 3\%$
- Power supply: 100-240VAC, 50/60HZ
- Ambient temperature is between 0-50°C
- Dimensions (W×H×Dmm):  
WHG-7000: 48×48×80;  
WHD-7000: 72×72×73;  
WHA-7000: 96×96×65.

### Optional feature:

- RS485 interface with MODBUS/RTU protocol.  
It can be connected 128 devices max.

### Wiring diagram



### Specifications

Input	temperature and humidity integrated module sensor
Humidity Accuracy	3.0%RH
Temperature Accuracy	$\pm 1\%F.S. \pm 1digit$
Power supply	100-240VAC
Ambient environment	0-50°C
Transmission function	This instrument transfer temperature or humidity signals into standard 0/4-20mA signals.
Rs485 interface	With Rs485 interface; MODBUS/RTU protocol, it is convenient to connect to PC. 128 devices can be connected maximum.

### Operation levels in temperature part

<b>Level 1</b>	Press SET key 3 seconds. Following parameters will show in the displaying windows in temperature part.
<i>SL</i>	lower limit of temperature setting value when temperature lower than this value, then heating load will be active.
<i>HXL</i>	Dead band of the lower limit
<i>SH</i>	higher limit of temperature setting value when temperature higher than this value, then cooling load will be active.
<i>HXH</i>	Dead band of the higher limit
<i>SC</i>	Compensation for the sensor measuring value when there is an error on measuring value, please set this value to decrease the error.
<i>r</i>	Time cycle for switch displaying higher/lower limit value in SV window. Default setting value is 10 seconds, so after each 10S, SL and SH value will display in SV window.
<i>LCK</i>	Parameter lock. When this parameter is set as 010, and press SET and Down keys at the same time to enter the second parameter setting level.

<b>Level 2</b>	Press SET and Down keys simultaneously when LCK=010
<i>Addr</i>	Device address number on Rs485 interface MODBUS/RTU protocol
<i>bPS</i>	Communication speed
<i>bIF</i>	Communication checking bit; digit structure
<i>Inf</i>	Delay time of feedback on serial communication

### Operation levels in humidity part

The operation parameter levels in humidity part is same as temperature part. All parameter signals and meaning are same. Please see temperature part operation instruction.

